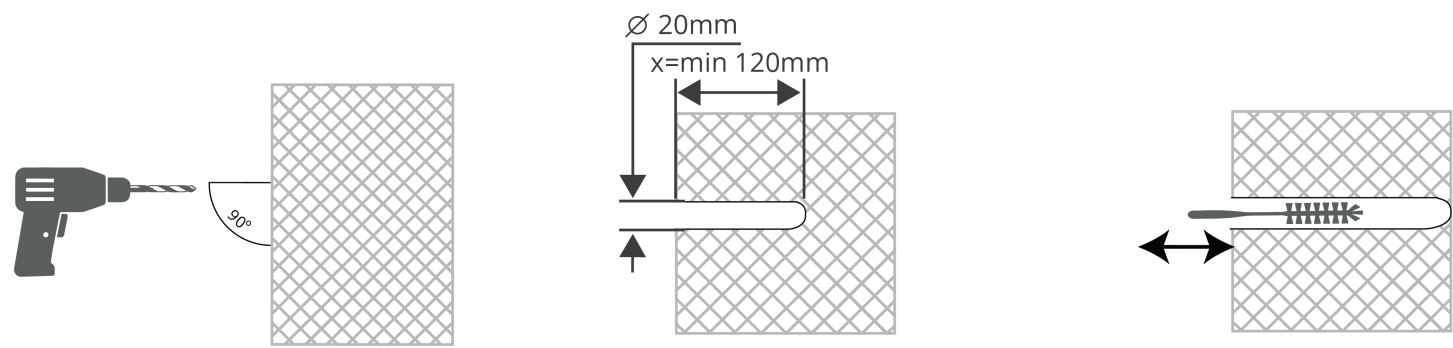




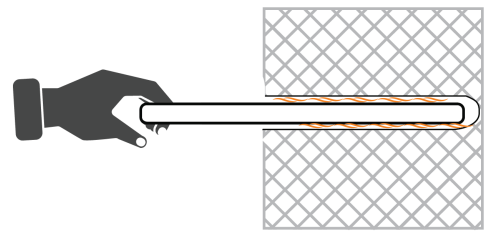
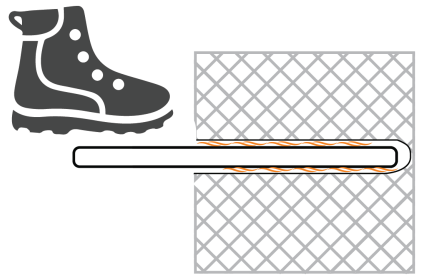
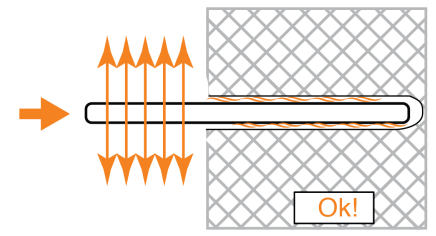
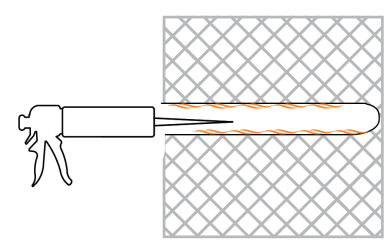
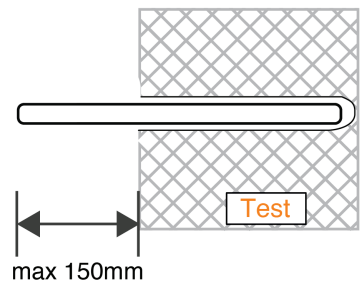
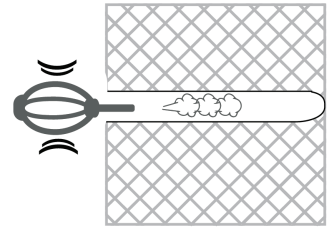
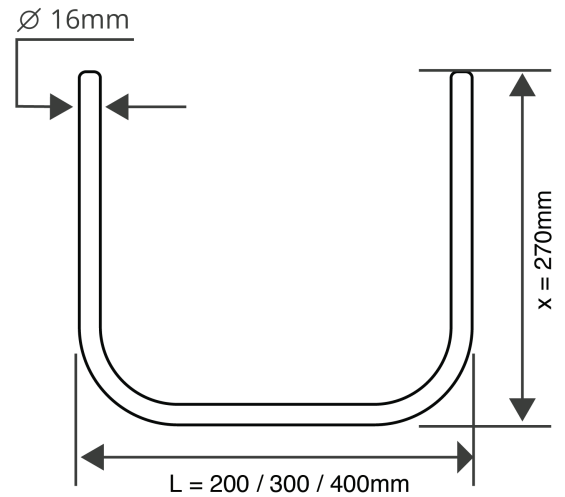
installation / τοποθέτηση



STEPS - Stainless Steel AISI 316L

Technical Sheet

certificate	EN 16869:2017
-------------	---------------



Read instructions before use.
 Use two components resin.
 After the resin, do not touch the anchor and use it placed no earlier than 24 hours, even better if not least after 2/3 days (dependent on ambient temperature...).

